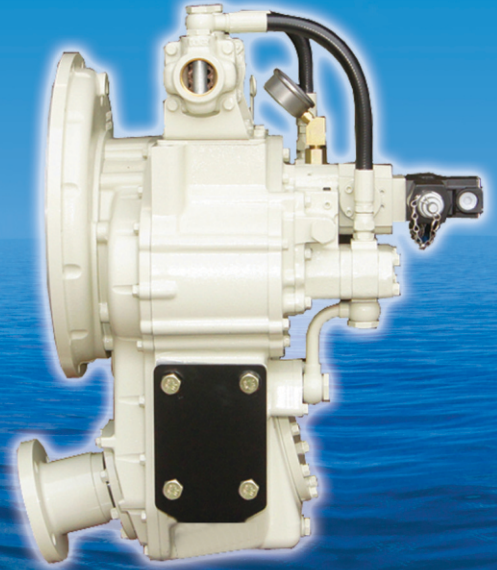


V-DRIVE

DMT 100IV



MARINE TRANSMISSIONS



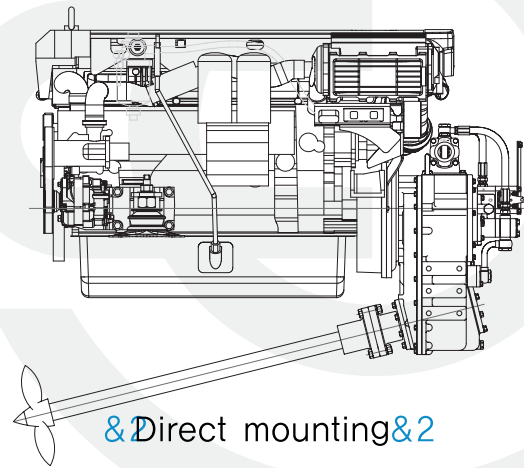
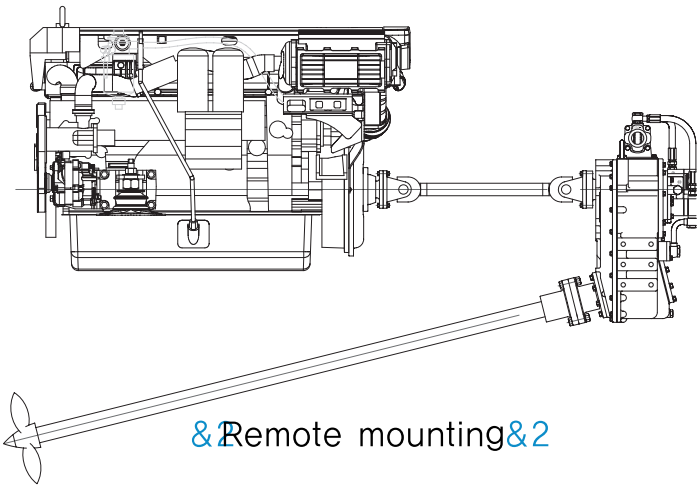
D-I
INDUSTRIAL CO., LTD.

MARINE TRANSMISSION
STEERING SYSTEM
POWER TAKE OFF





How to install the V- Drive



The Specification & capacity of V- drive

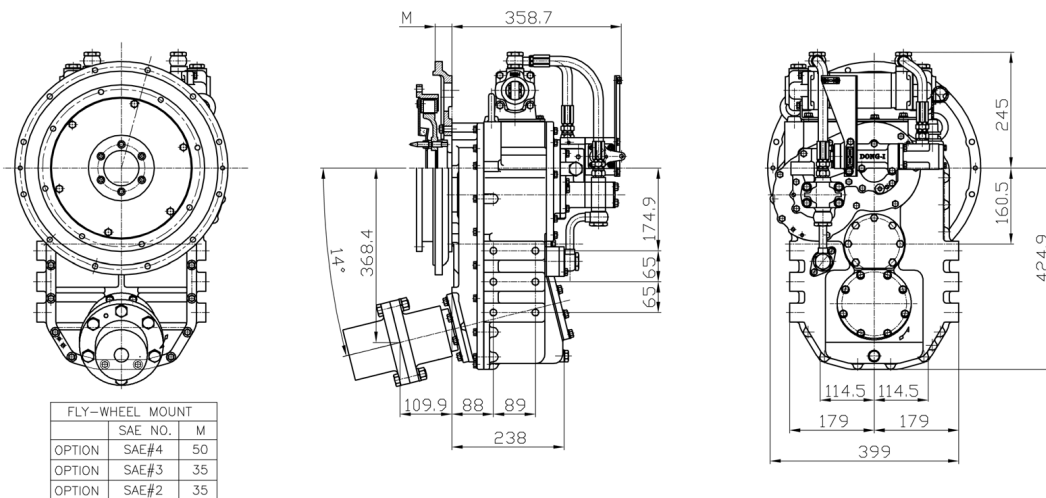
MODEL	RATIOS	hp/rpm	INPUT POWER CAPACITY(hp)				Max rpm	Weight (kg)	Housing
			2000rpm	2100rpm	2600rpm	3500rpm			
DMT100IV	1.21,1.54,1.84,2.12,2.52	0.1439	287.8	302.2	374.1	503.8	4000	120	SAE 2,3,4

& Features & 2

- Designed with lightness made of seaworthy & high stiff aluminium.
- Possible to remote control by the shifting valve (mechanical & electric)
- Engine efficiency increase by applying Conical Gear (14 °).
- Easy to maintain the gearbox by moving engine installation space.
- Developed under quality ISO9001 system.
- Designed on the basis of DNV & ISO6336.
- Suitable for the surface drive and propeller shaft type for high speed propulsion system.
- Wide space usage by efficient vessel design.



Installation Dimensions



(13) 99720-6214

alexandre@megatechpower.com.br

www.megatechpower.com.br